



Bullet Network Camera

Quick Start Guide






Foreword

General

This manual introduces the installation and operations of network camera. Read carefully before using the device, and keep the manual safe for future reference.

Safety Instructions

The following signal words might appear in the manual.

Signal Words	Meaning
 WARNING	Indicates a medium or low potential hazard which, if not avoided, could result in slight or moderate injury.
 CAUTION	Indicates a potential risk which, if not avoided, could result in property damage, data loss, reductions in performance, or unpredictable result.
 NOTE	Provides additional information as a supplement to the text.

Revision History

Version	Revision Content	Release Date
V1.0.1	Updated operating with DMSS and adjusting the lens angle.	January 2023
V1.0.0	First release.	August 2022

Privacy Protection Notice

As the device user or data controller, you might collect the personal data of others such as their face, fingerprints, and license plate number. You need to be in compliance with your local privacy protection laws and regulations to protect the legitimate rights and interests of other people by implementing measures which include but are not limited: Providing clear and visible identification to inform people of the existence of the surveillance area and provide required contact information.

About the Manual

- The manual is for reference only. Slight differences might be found between the manual and the product.
- We are not liable for losses incurred due to operating of the product in ways that are not in compliance with the manual.
- The manual will be updated according to the latest laws and regulations of related jurisdictions. For detailed information, see the paper User Manual, use our CD-ROM, scan the QR code or visit our official website. The manual is for reference only. Slight differences might be found between the electronic version and the paper version.
- All the designs and software are subject to change without prior written notice. Product updates might result in some differences appearing between the actual product and the manual. Please contact customer service for the latest program and supplementary documentation.
- There might be deviations in the description of the technical data, functions and operations, or

errors in the print. If there is any doubt or dispute, we reserve the right of final explanation.

- Upgrade the reader software or try other mainstream reader software if the manual (in PDF format) cannot be opened.
- All trademarks, registered trademarks and the company names in the manual are the properties of their respective owners.
- Please visit our website, contact the supplier or customer service if any problems occur while using the device.
- If there is any uncertainty or controversy, we reserve the right of final explanation.

Important Safeguards and Warnings

This section introduces content covering the proper handling of the device, hazard prevention, and prevention of property damage. Read carefully before using the device, comply with the guidelines when using it.

Transportation Requirements



- Transport the device under allowed humidity and temperature conditions.
- Pack the device with packaging provided by its manufacturer or packaging of the same quality before transporting it.
- Do not place heavy stress on the device, violently vibrate or immerse it in liquid during transportation.

Storage Requirements



- Store the device under allowed humidity and temperature conditions.
- Do not place the device in a humid, dusty, extremely hot or cold site that has strong electromagnetic radiation or unstable illumination.
- Do not place heavy stress on the device, violently vibrate or immerse it in liquid during storage.

Installation Requirements




- Strictly comply with the local electrical safety code and standards, and check whether the power supply is correct before operating the device.
- Please follow the electrical requirements to power the device.
 - ◇ When selecting the power adapter, the power supply must conform to the requirements of ES1 in IEC 62368-1 standard and be no higher than PS2. Please note that the power supply requirements are subject to the device label.
 - ◇ We recommend using the power adapter provided with the device.
- Do not connect the device to two or more kinds of power supplies, unless otherwise specified, to avoid damage to the device.
- The device must be installed in a location that only professionals can access, to avoid the risk of non-professionals becoming injured from accessing the area while the device is working. Professionals must have full knowledge of the safeguards and warnings of using the device.



- Do not place heavy stress on the device, violently vibrate or immerse it in liquid during installation.
- An emergency disconnect device must be installed during installation and wiring at a readily accessible location for emergency power cut-off.
- We recommend you use the device with a lightning protection device for stronger protection

against lightning. For outdoor scenarios, strictly comply with the lightning protection regulations.

- Ground the function earthing portion  of the device to improve its reliability (certain models are not equipped with earthing holes). The device is a class I electrical appliance. Make sure that the power supply of the device is connected to a power socket with protective earthing.
- The dome cover is an optical component. Do not directly touch or wipe the surface of the cover during installation.

Operation Requirements



- The cover must not be opened while the device is powered on.
- Do not touch the heat dissipation component of the device to avoid the risk of getting burnt.



- Use the device under allowed humidity and temperature conditions.
 - ◇ Charging condition: 0 °C to +50 °C (+32 °F to +122 °F) (deviation: ± 5 °C).
 - ◇ Discharging condition: -20 °C to +60 °C (-4 °F to +140 °F) (deviation: ± 5 °C).
- Use the device under allowed humidity and temperature conditions.
- Do not aim the device at strong light sources (such as lamplight, and sunlight) when focusing it, to avoid reducing the lifespan of the CMOS sensor, and causing overbrightness and flickering.
- When using a laser beam device, avoid exposing the device surface to laser beam radiation.
- Prevent liquid from flowing into the device to avoid damage to its internal components.
- Protect indoor devices from rain and dampness to avoid electric shocks and fires breaking out.
- Do not block the ventilation opening near the device to avoid heat accumulation.
- Protect the line cord and wires from being walked on or squeezed particularly at plugs, power sockets, and the point where they exit from the device.
- Do not directly touch the photosensitive CMOS. Use an air blower to clean the dust or dirt on the lens.
- The dome cover is an optical component. Do not directly touch or wipe the surface of the cover when using it.
- There might be a risk of electrostatic discharge on the dome cover. Power off the device when installing the cover after the camera finishes adjustment. Do not directly touch the cover and make sure the cover is not exposed to other equipment or human bodies
- Strengthen the protection of the network, device data and personal information. All necessary safety measures to ensure the network security of the device must be taken, such as using strong passwords, regularly changing your password, updating firmware to the latest version, and isolating computer networks. For the IPC firmware of some previous versions, the ONVIF password will not be automatically synchronized after the main password of the system has been changed. You need to update the firmware or change the password manually.

Maintenance Requirements



- Strictly follow the instructions to disassemble the device. Non-professionals dismantling the device can result in it leaking water or producing poor quality images. For a device that is required to be disassembled before use, make sure the seal ring is flat and in the seal groove

when putting the cover back on. When you find condensed water forming on the lens or the desiccant becomes green after you disassembled the device, contact after-sales service to replace the desiccant. Desiccants might not be provided depending on the actual model.

- Use the accessories suggested by the manufacturer. Installation and maintenance must be performed by qualified professionals.
- Do not directly touch the photosensitive CMOS. Use an air blower to clean the dust or dirt on the lens. When it is necessary to clean the device, slightly wet a soft cloth with alcohol, and gently wipe away the dirt.
- Clean the device body with a soft dry cloth. If there are any stubborn stains, clean them away with a soft cloth dipped in a neutral detergent, and then wipe the surface dry. Do not use volatile solvents such as ethyl alcohol, benzene, diluent, or abrasive detergents on the device to avoid damaging the coating and degrading the performance of the device.
- The dome cover is an optical component. When it is contaminated with dust, grease, or fingerprints, use degreasing cotton moistened with a little ether or a clean soft cloth dipped in water to gently wipe it clean. An air gun is useful for blowing dust away.
- It is normal for a camera made of stainless steel to develop rust on its surface after being used in a strong corrosive environment (such as the seaside, and chemical plants). Use an abrasive soft cloth moistened with a little acid solution (vinegar is recommended) to gently wipe it away. Afterwards, wipe it dry.

Table of Contents

Foreword	I
Important Safeguards and Warnings	III
1 Cable	1
2 Operating with DMSS	2
3 Installation	4
3.1 Packing List	4
3.2 Dimensions	4
3.3 Installing the Camera	5
3.3.1 Installation Methods	5
3.3.2 Installing the Antenna	5
3.3.3 (Optional) Installing the SD/SIM Card	5
3.3.4 Attaching the Camera	6
3.3.5 (Optional) Installing the Waterproof Connector	6
3.3.6 Adjusting the Lens Angle	7
3.3.7 Adjusting the Solar Panel	8

1 Cable



Waterproof all the cable joints with insulating tape and waterproof tape to avoid water damage and prevent short circuits from occurring. For details, see the FAQ manual.

Figure 1-1 Cables

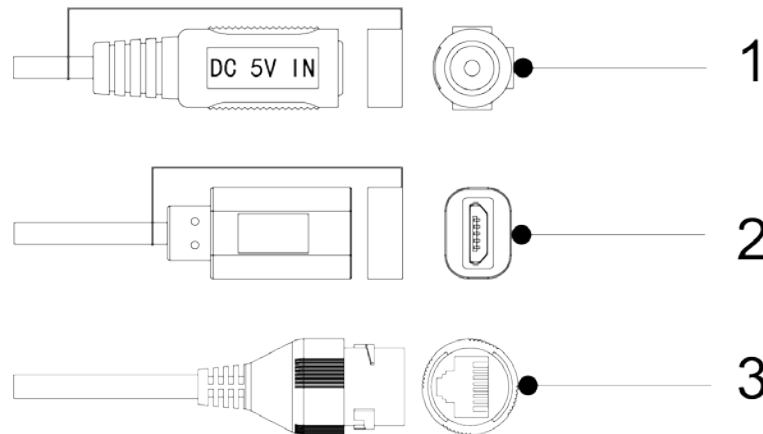




Table 1-1 Cable information

No.	Port Name	Description
1	Power port	Inputs 5 VDC power to charge the battery. Be sure to supply power as instructed in the manual.  The device might become damaged or behave abnormally if power is not correctly supplied.
2	Micro USB	Charge the battery in the device. The device will keep awake while charging by Micro USB.
3	Ethernet port	Connects to the network through a network cable.  Do not connect both network cable and Wi-Fi at the same time.

2 Operating with DMSS

Prerequisites

Make sure that there are no obstacles and electromagnetic interference between the device and the router for best possible wireless performance.

Procedure

Step 1 Turn on the bottom flip cover through the screwdriver.

Step 2 Switch the button to **ON**.

Step 3 Check the indicator light pattern.

When the light turns from red to green, it means device starts successfully.



- The battery would be consumed if the device is stored for a long time. Please fully charge the device before starting the device.
- Indicator light turns from red to off or stays off all the time means the device is running out of power. Connect the Micro USB cable to the device and charge it for half an hour before starting the device.

Figure 2-1 Start the device

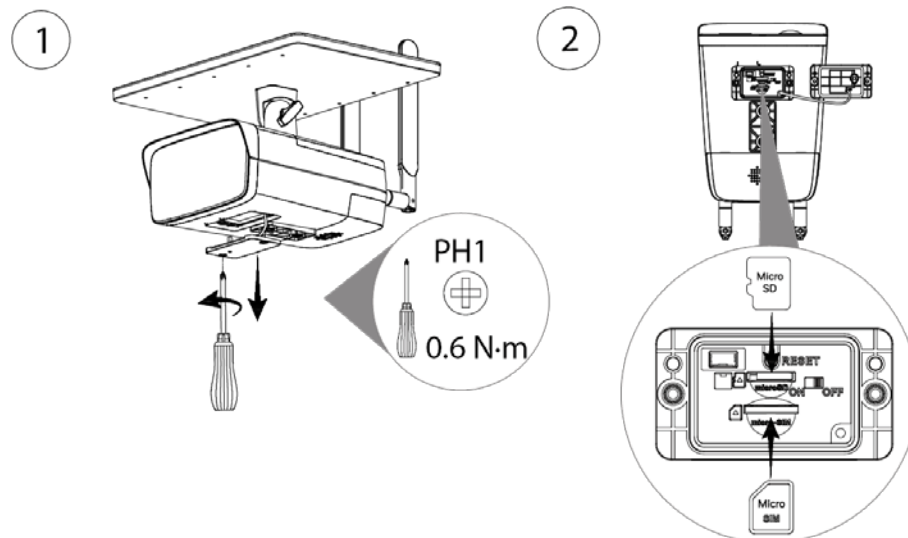


Table 2-1 Indicator light pattern

LED Indicator Status	Device Status
Red light on	Booting/Device error/Booting failed
Green light on	Operating properly

Step 4 Add the device.

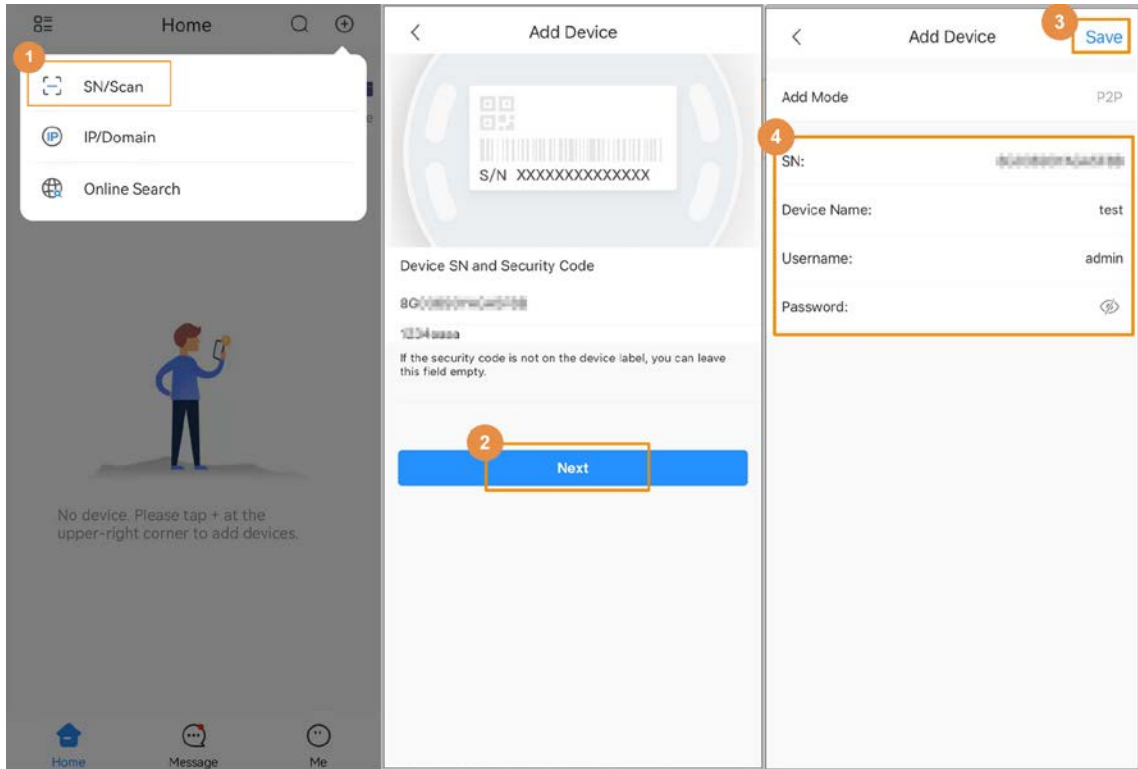
- 1) Tap + button on the upper-right corner of DMSS home page to scan the QR code on the camera. If your DMSS fails to scan the QR code, tap **Manually enter SN**.
- 2) Check device serial number and security code, and then click **Next**.
- 3) Create the device name, and then enter the password.



The password is security code by default.

4) Click **Save**.

Figure 2-2 Add the device



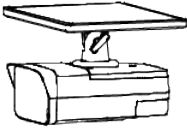







3 Installation

3.1 Packing List



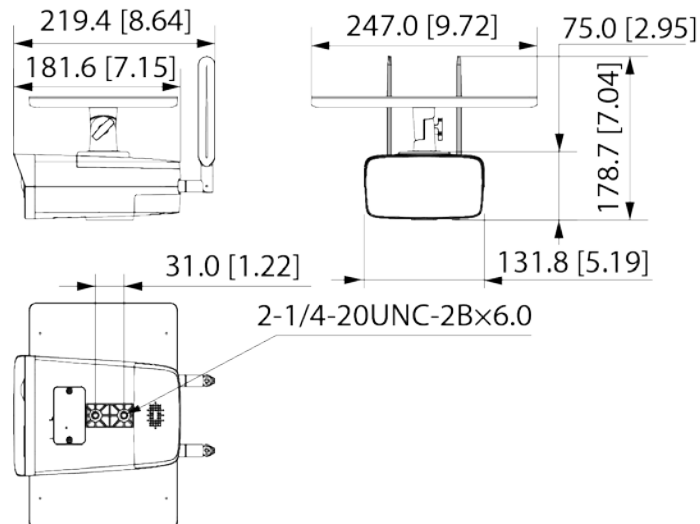
- Tools required for installation, such as the electric drill, are not included in the package.
- The operation manual and information on the tools are on the disk or the QR code.

Figure 3-1 Packing list

Network Camera × 1	Manual × 2	Waterproof Connector × 1	Wrench × 1
			
Antenna × 2	CD-ROM or QR code × 1	Screw Package × 1	Bracket × 1
			

3.2 Dimensions

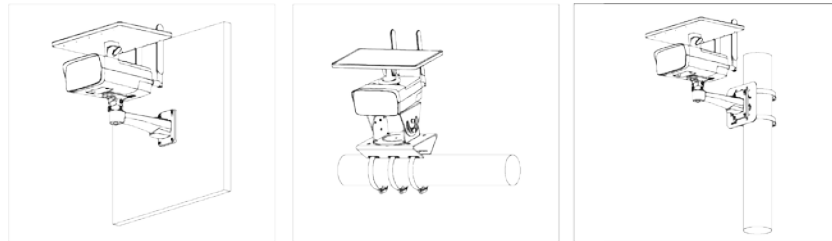
Figure 3-2 Dimensions (mm [inch])



3.3 Installing the Camera

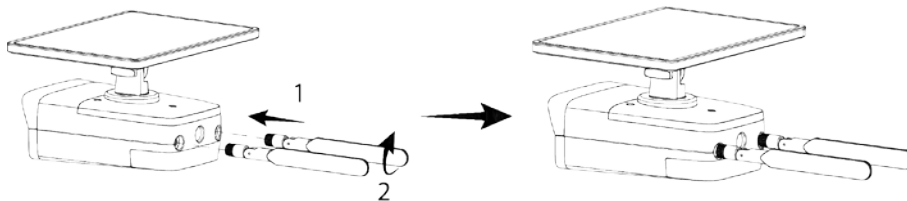
3.3.1 Installation Methods

Figure 3-3 Installation methods



3.3.2 Installing the Antenna

Figure 3-4 Install the antenna



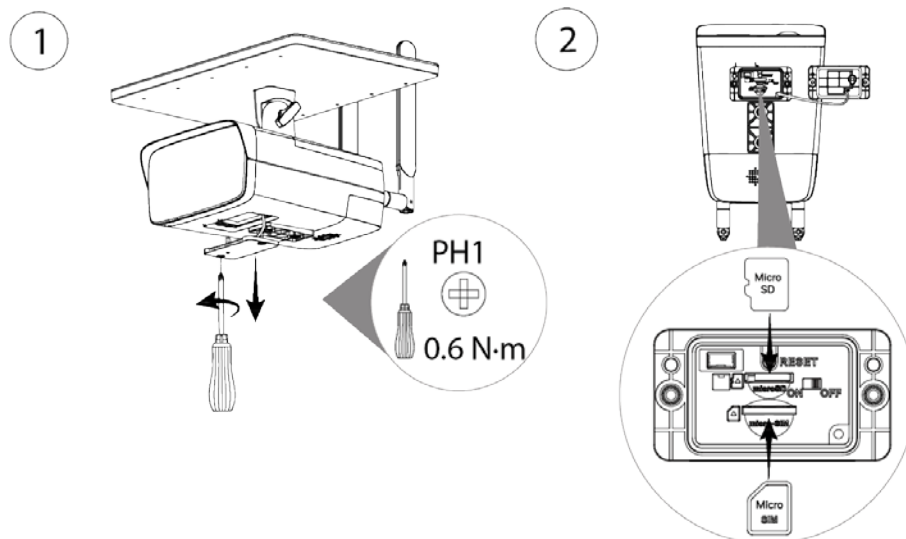
3.3.3 (Optional) Installing the SD/SIM Card

- SD/SIM card slot is available on select models.
- Disconnect the power before installing or removing the SD/SIM card.



Press the reset button for 10 seconds to reset the device.

Figure 3-5 Install the SD card



3.3.4 Attaching the Camera



Make sure that the mounting surface is strong enough to hold at least three times the weight of the camera and bracket.

Figure 3-6 Cable going through the side cable tray

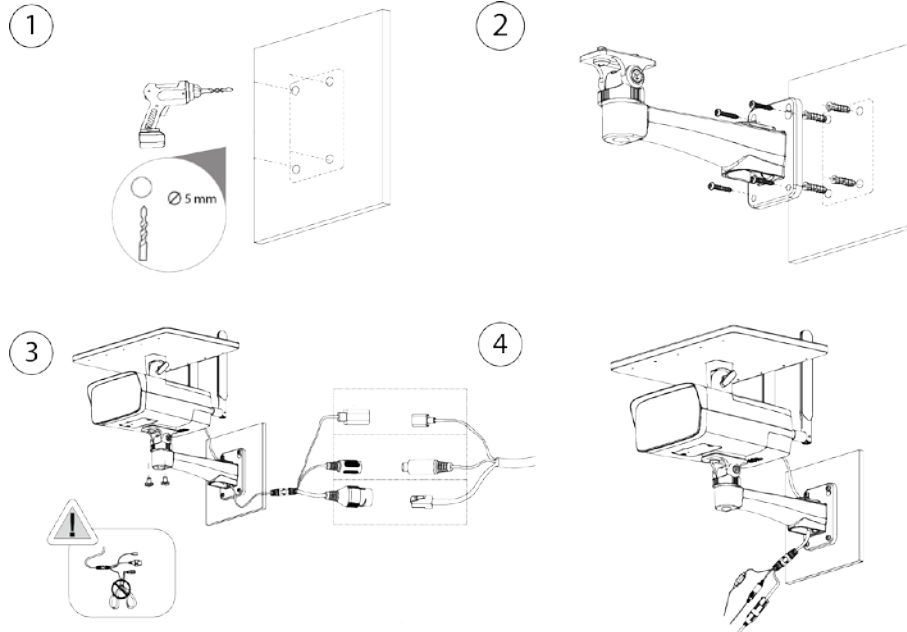
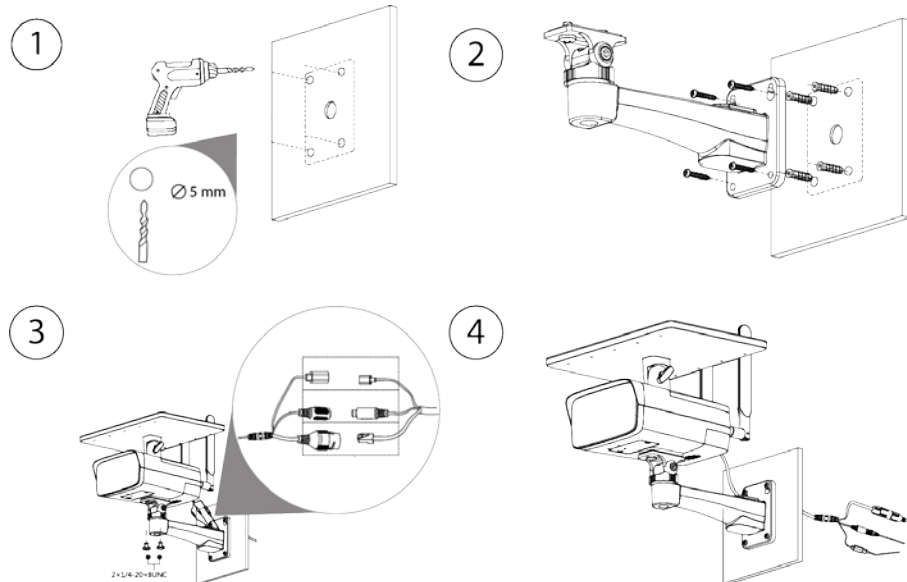


Figure 3-7 Cable going through the mounting surface

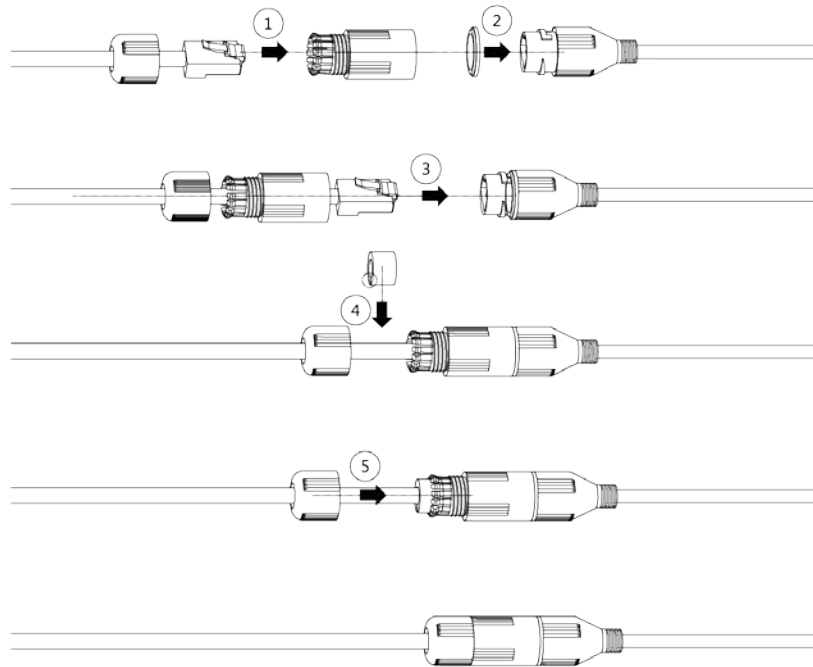


3.3.5 (Optional) Installing the Waterproof Connector



This section is only necessary if a waterproof connector is included in your package, and the device is being installed outdoors.

Figure 3-8 Install the waterproof connector

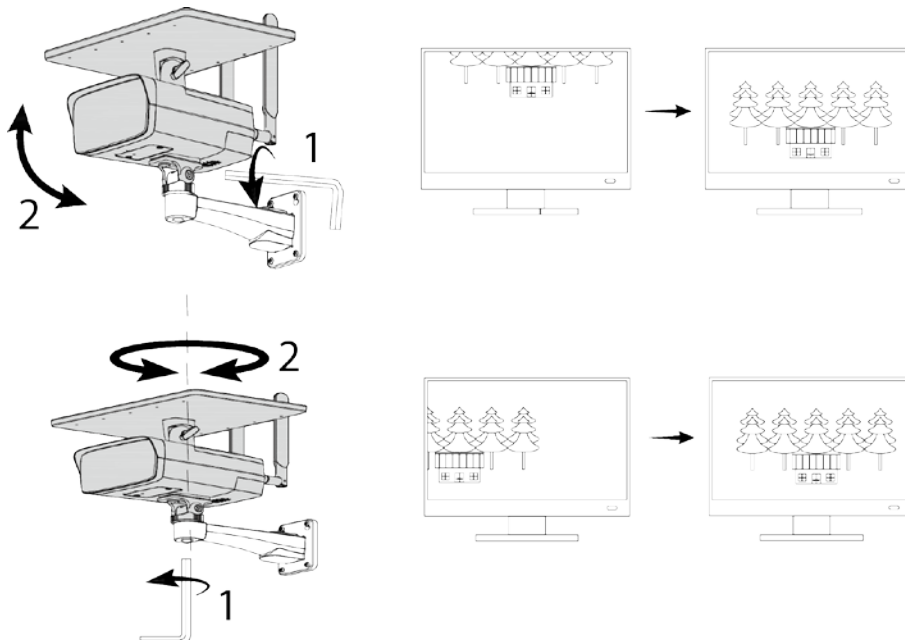


3.3.6 Adjusting the Lens Angle



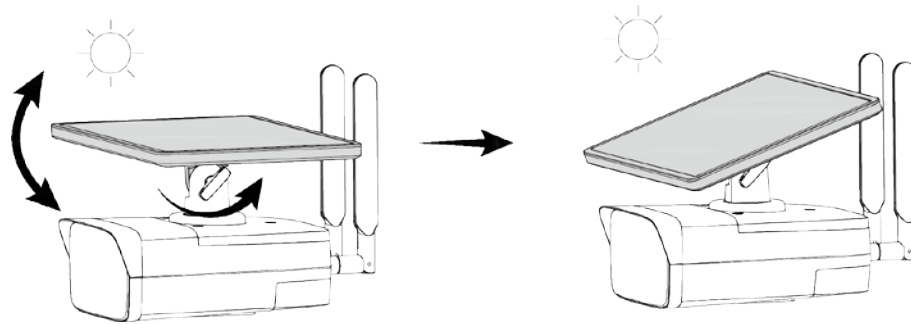
Due to the detection requirement of infrared detector (PIR), we recommend you install the device at the height of 2 m to 3 m from the ground, and the horizontal angle ranges from 10° to 30°.

Figure 3-9 Adjust the lens angle



3.3.7 Adjusting the Solar Panel

Figure 3-10 Adjust the solar panel



ENABLING A SAFER SOCIETY AND SMARTER LIVING

ZHEJIANG DAHUA VISION TECHNOLOGY CO., LTD.

Address: No.1199 Bin'an Road, Binjiang District, Hangzhou, P. R. China | Website: www.dahuasecurity.com | Postcode: 310053

Email: overseas@dahuatech.com | Fax: +86-571-87688815 | Tel: +86-571-87688883