

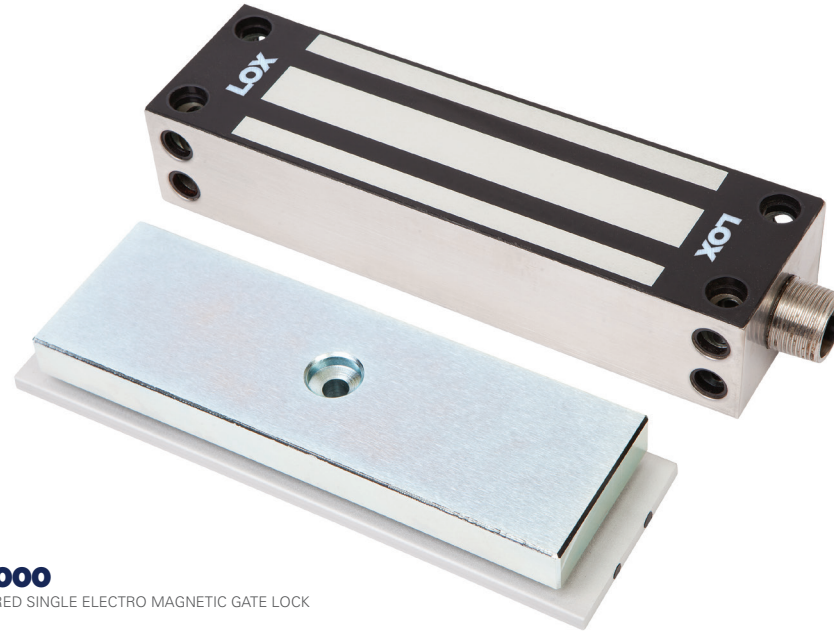
# EM5000

Weather Resistant Electro Magnetic Gate Lock

## EM5000 DESCRIPTION



The **LOX EM5000** has been designed with a fully enclosed stainless-steel housing. It is the most reliable solution for true external applications exposed to wind and weather. The **EM5000** lock is **IP67** rated and a proven locking solution in the harshest environments around Australia such as surf-lifesaving clubhouses and the like. It has a high holding force of up to **630kg** a dual fixing arrangement (front and header mount), a built-in varistor surge protection and accepts dual voltage of 12VDC and 24VDC.

The **EM5000** Electro Magnetic Gate Lock has a Lock Status (LSS) monitoring feature by Hall-Effect and comes with a Lifetime Warranty. An Anti-Tamper-Mounting-Plate to prevent hostile attacks on the dome-nut-fixing bolt comes as standard.



**EM5000**  
MONITORED SINGLE ELECTRO MAGNETIC GATE LOCK

## SPECIFICATIONS

EM5000	SINGLE ELECTRO MAGNETIC GATE LOCK MONITORED
HOLDING STRENGTH	UP TO 630KG
VOLTAGE/CURRENT	DUAL VOLTAGE 12/24VDC 12VDC = 480mA 24VDC = 240mA
APPROVALS	CE & C-TICK  
LSS MONITORING	LSS LOCK STATUS SENSOR (HALL EFFECT)
ENVIRONMENTAL	IP67 RATED, OPERATIONAL TEMPERATURE RANGE - 20 DEG. C TO 60 DEG. C.

**LOX**  
LOCKING

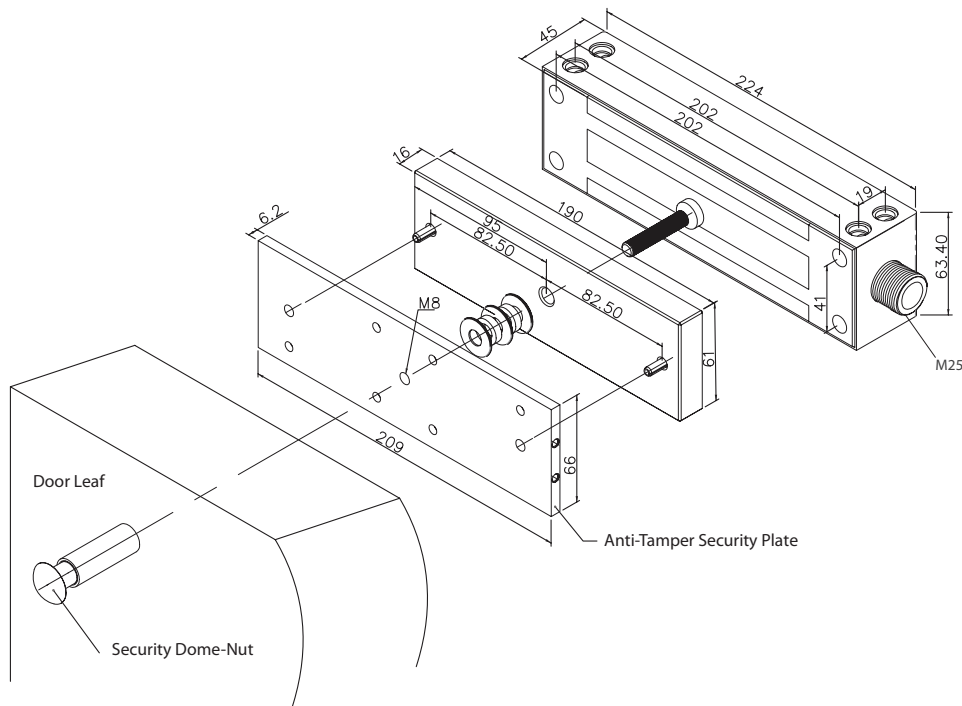
LOX LOCKING PTY LTD | [www.loxlocking.com.au](http://www.loxlocking.com.au)

**LOX**<sup>®</sup>

# EM5000

Weather Resistant Electro Magnetic Gate Lock

## PRODUCT DIMENSIONS



Dimensions (mm)

## EM5000 FACTS

- Up to 630kg holding force
- Lock Status monitoring Sensor (LSS)
- Stainless 304 steel body housing
- Weather resistant IP67
- Lifetime warranty
- Anti-Tamper Mounting Plate
- CE/RCM
- No residual magnetism

## ACCESSORIES



### AMGB1-12

LOX U SHAPE ARMATURE HOLDER FOR GLASS DOORS  
EM5000 & EM5700



### AMZB1-LP

LOX L & Z BRACKET FOR INWARDS OPENING DOORS  
EM5000 & EM5700

**LOX**  
LOCKING

LOX LOCKING PTY LTD | [www.loxlocking.com.au](http://www.loxlocking.com.au)

**LOX**<sup>®</sup>