

# (Radar) AI LPR 4X/12X Pro Bullet Plus Network Camera



3D Radar

AF Lens



DATASHEET

## KEY FEATURES

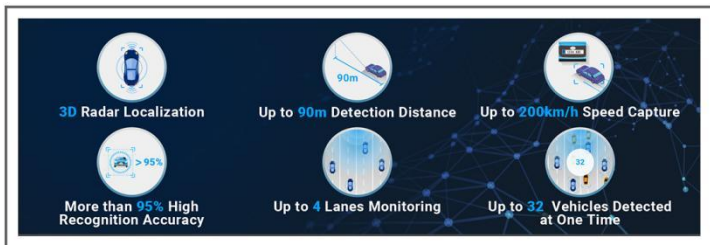
- ▶ Smart IR II (Combining the High Beam and Low Beam to adjust IR intensity to fit different lighting conditions.)
- ▶ 0.002Lux Starlight (Deliver high detailed color images even in low light environment reaching 0.002Lux.)
- ▶ 1/2" Image Sensor (Top-notch STARVIS sensor to achieve excellent video quality even in low-light environments reaching 0.001Lux.)
- ▶ HLC (High Light Compensation. Improving image visibility under strong light sources.)
- ▶ Defog (Defog technology. Restoring clear images in hazy and foggy weather.)
- ▶ Integrated Cable Management (Combining the power interface, PoE port, and other interfaces in the base neatly.)
- ▶ 256G (Supporting ultra-large external microSD/SDHC/SDXC card storage up to 256G.)
- ▶ Smart Stream (Bandwidth, storage and bit rate are saved with Smart Stream On, eg, H.265+ saves 70%~80% bandwidth that of H.264.)

### Advanced 3D Radar Technology (Optional)

The 3D radar can locate the vehicle position and direction with high accuracy. Verified by AI-powered LPR algorithm, the 3D radar technology can precisely identify detection distance, speed capture and flow control, greatly optimizing traffic monitoring, and ensuring the safety of public transport.

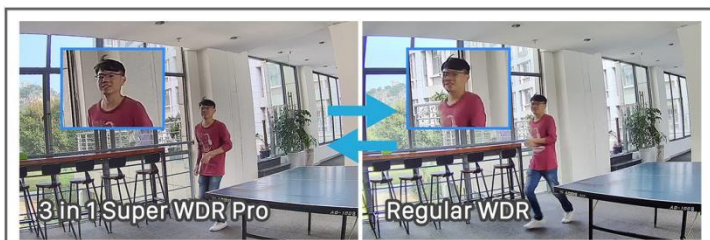
### AI-powered LPR Algorithm

Based on AI algorithm, the LPR function provides value-added data via a pre-trained deep learning model, which can not only recognize vehicle plates in real time with high accuracy, but also identify more vehicle features, like vehicle type, color, etc., generating powerful security and traffic insights.



### 3 in 1 Super WDR Pro - 140dB

The upgraded 3 in 1 Super WDR Pro outputs three frames each line, which is able to bring more details especially moving subjects. What's more, it greatly improves image quality for reducing smear and noisy points. The ratio that the brightest light signal values divided by the darkest light signal values is up to 140dB.



### 100fps

With the industry leading frame rate reaching 100fps, the cameras can easily catch images with no latency despite of the high-speed movement, which is the best choice for the demanding requirements especially for intelligent cameras.



# (Radar) AI LPR 4X/12X Pro Bullet Plus Network Camera



	Model	MS-C2866-X4TL(V)PC (2MP)	MS-C2966-X12R(T)L(V)PC (2MP)
<b>Camera</b>	Image Sensor	1/2" Progressive Scan CMOS	1/2.8" Progressive Scan CMOS
	Min. Illumination	Color: 0.002Lux@F1.6 B/W: 0Lux with IR on	Color: 0.005Lux@F1.6 B/W: 0Lux with IR on
	WDR	140dB Super WDR Pro	140dB Super WDR <b>(Super WDR Pro is optional for T Series)</b>
	Shutter Time	1/100000s~1s	
	IR Distance	Up to 180m	
	Day/Night Mode	Day/Night/Auto/Customize/Schedule	
	S/N	>55dB	
<b>Lens</b>	Lens	8~32mm, 4X Optical Zoom	5.3~64mm, 12X Optical Zoom
	Field of View	H44°~H13°/D51°~D15°/V25°~V7°	H61°~H5°/D69°~D5°/V36°~V2°
	Mount	Φ14	
	Focus Control	Auto/Manual	
	Aperture	F1.6~F1.7	F1.6~F2.8
	Iris Control	Auto	
<b>LPR</b>	Max. Vehicle Speed	200km/h	
	Recognition Accuracy	>95%	
	Coverage	Support simultaneous detection of 4 regions	
	White/Black List	Up to 1000 records inside the camera	
	Smart Traffic Detection	License Plate Recognition, Plate Type Recognition, Plate Color Recognition, Vehicle Type Classification, Vehicle Color Recognition, Vehicle Direction Detection, Speed Detection, Traffic Flow Detection	
<b>Radar (Optional)</b>	Working Frequency	60GHz, 61~62GHz	
	Capture Rate	>99% (Traffic jam >95%)	
	Lane Coverage	1~4 Lanes (Recognition ≥95% individually)	
	Tracking Target	Up to 32	
	Speed Detection Range	±5km/h~±200km/h	
	Speed Detection Accuracy	±0.36km/h	
	Detection Distance	Up to 90m	
	Distance Detection Accuracy	±0.4m	
	Angle Measurement Accuracy	±0.5°	
	Installation Height	2~7m	

# (Radar) AI LPR 4X/12X Pro Bullet Plus Network Camera



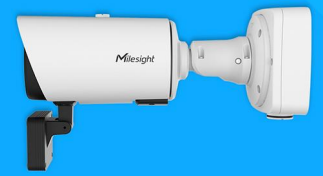
<b>Video</b>	Max. Image Resolution	1920x1080	
	Primary Stream	60Hz: <b>100fps@(1920x1080)(Optional for T Series)</b> , 60fps@(1920x1080, 1280x960, 1280x720, 704x576) 50Hz: <b>100fps@(1920x1080)(Optional for T Series)</b> , 50fps@(1920x1080, 1280x960, 1280x720, 704x576)	
	Secondary Stream	60Hz: 60fps@(704x576, 640x480, 640x360, 352x288, 320x240, 320x192, 320x180) 50Hz: 50fps@(704x576, 640x480, 640x360, 352x288, 320x240, 320x192, 320x180)	
	Tertiary Stream	60Hz: 30fps@(1920x1080, 1280x720, 704x576, 640x480, 640x360, 320x240, 320x192, 320x180) 50Hz: 25fps@(1920x1080, 1280x720, 704x576, 640x480, 640x360, 320x240, 320x192, 320x180)	
	Video Compression	H.265+/H.265(HEVC)/H.264+/H.264/MJPEG	
	Video Bit Rate	16Kbps~16Mbps(CBR/VBR Adjustable)	
	Privacy Masking	Up to 28 areas(24 mask areas and 4 mosaic areas)	
	ROI	Up to 8 areas	
	Image Setting	Brightness/Contrast/Saturation/Sharpness	
<b>Interface</b>	Ethernet	1*RJ45 10M/100M Ethernet Port	
	Audio I/O	1/1	
	Alarm I/O	1/1	
<b>Network</b>	Network Storage	NAS(Support NFS, SMB/CIFS), ANR	
	Protocol	IPv4/IPv6, ARP, TCP, UDP, RTCP, RTP, RTSP, RTMP, HTTP, HTTPS, DNS, DDNS, DHCP, FTP, NTP, SMTP, SNMP, UPnP, Bonjour, SIP, PPPoE, VLAN, 802.1x, QoS, IGMP, ICMP, SSL	
<b>Audio</b>	Audio Compression	G.711/AAC/G.722/G.726	
	Audio Sampling Rate	8/16/32/44.1/48KHz	
	Audio Bit Rate	16~256kbps	
	Two-way Audio	Support	
<b>System</b>	Storage	Support microSD/SDHC/SDXC Card Local Storage, up to 256G	
	Advanced Function	BLC, HLC, 2D DNR, 3D DNR, Defog, AWB, EIS, IP Address Filtering, AGC, Anti-flicker, Corridor Mode, Deblur, Watermark	
	SIP/VoIP Support	Yes, Voice & Video-over-IP	
	Event Trigger	Black/White List, Motion Detection, Network Disconnection, External Input, Audio Alarm, etc.	
	Event Action	FTP Upload, SMTP Upload, SD Card Record, External Output, SIP Phone, HTTP Notification, etc	
	System Compatibility	ONVIF Profile G & Q & S & T, API	
<b>General</b>	Working Temperature	-40°C~60°C	
	Working Humidity	5~90%(Non-condensing)	
	Power Supply	PoE (802.3at) / DC 12V±10%	
	Power Consumption	8W MAX 14W MAX (With IR on)	
	Weather Proof	Up to IP67-rated for Weather-resistant Performance	
	Housing	Vandal-proof IK10-rated Metal Housing (Without Radar Module)	
	Surge Protection	4KV	
	Weight	1445.8g 1623g (With radar module)	1447g 1625g (With radar module)
	Dimensions	320mmX134mmX126mm 320mmX134mmX171mm (With radar module)	
	Warranty	3/5 Years	

# (Radar) AI LPR 4X/12X Pro Bullet Plus Network Camera



	Model	MS-C5366-X12L(V)PC (5MP)
<b>Camera</b>	Image Sensor	1/2.8" Progressive Scan CMOS
	Min. Illumination	Color: 0.008Lux@F1.6 B/W: 0Lux with IR on
	WDR	120dB Super WDR
	Shutter Time	1/100000s~1s
	IR Distance	Up to 180m
	Day/Night Mode	Day/Night/Auto/Customize/Schedule
	S/N	>55dB
<b>Lens</b>	Lens	5.3~64mm, 12X Optical Zoom
	Field of View	H57°~H4°/D69°~D5°/V44°~V1°
	Mount	Φ14
	Focus Control	Auto/Manual
	Aperture	F1.6~F2.8
	Iris Control	Auto
<b>LPR</b>	Max. Vehicle Speed	200km/h
	Recognition Accuracy	>95%
	Coverage	Support simultaneous detection of 4 regions
	White/Black List	Up to 1000 records inside the camera
	Smart Traffic Detection	License Plate Recognition, Plate Type Recognition, Plate Color Recognition, Vehicle Type Classification, Vehicle Color Recognition, Vehicle Direction Detection, Speed Detection, Traffic Flow Detection
<b>Radar (Optional)</b>	Working Frequency	60GHz, 61~62GHz
	Capture Rate	>99% (Traffic jam >95%)
	Lane Coverage	1~4 Lanes (Recognition ≥95% individually)
	Tracking Target	Up to 32
	Speed Detection Range	±5km/h~±200km/h
	Speed Detection Accuracy	±0.36km/h
	Detection Distance	Up to 90m
	Distance Detection Accuracy	±0.4m
	Angle Measurement Accuracy	±0.5°
	Installation Height	2~7m

# (Radar) AI LPR 4X/12X Pro Bullet Plus Network Camera

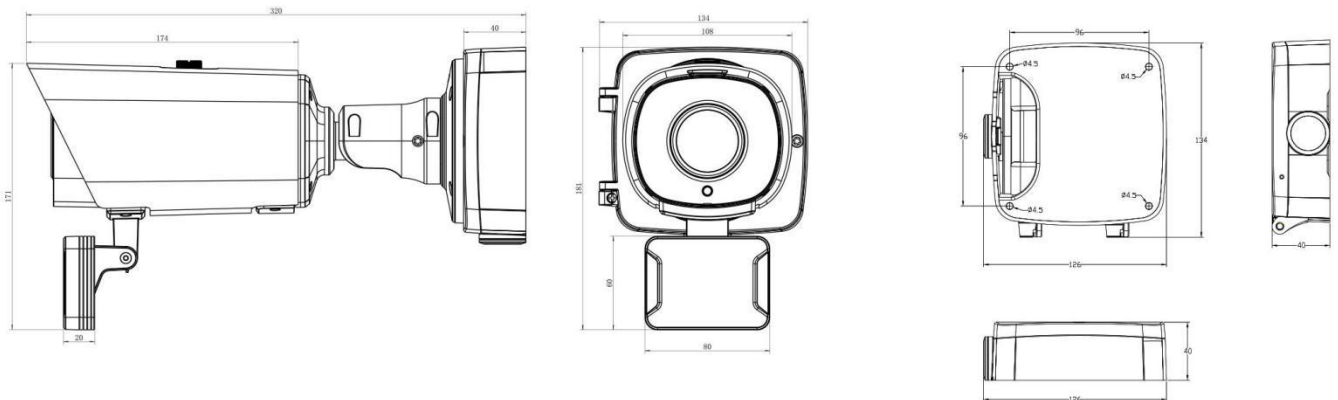
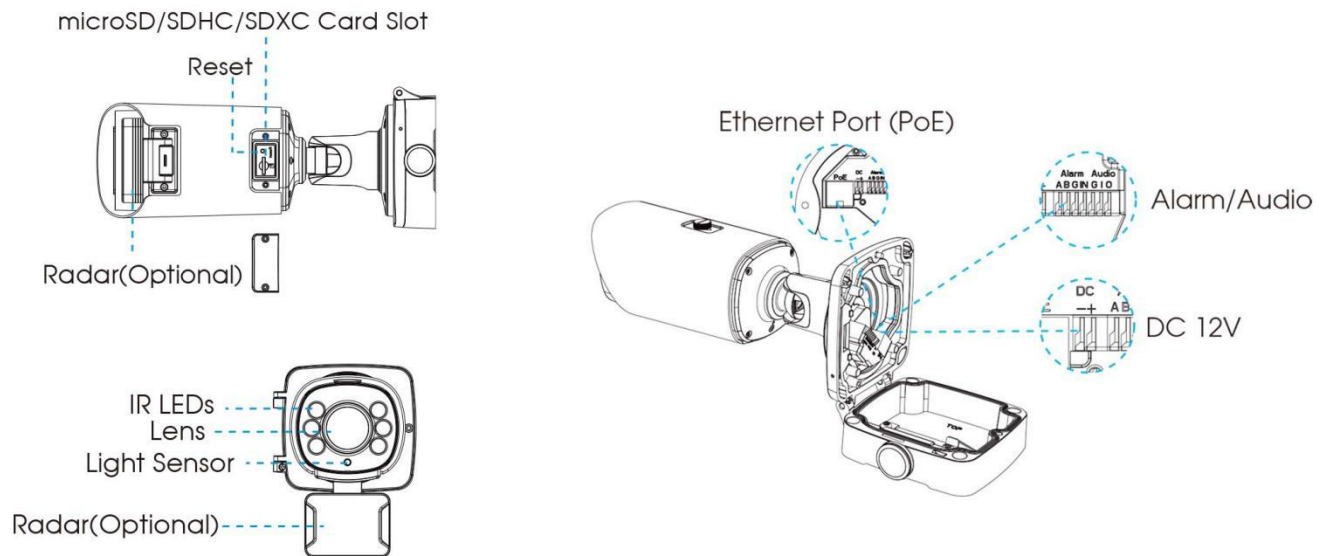


<b>Video</b>	Max.Image Resolution	2592x1944
	Primary Stream	60Hz: 30fps@(2592x1944), 45fps@(2048x1536), 60fps@(1920x1080, 1280x960, 1280x720, 704x576) 50Hz: 25fps@(2592x1944), 45fps@(2048x1536), 50fps@(1920x1080, 1280x960, 1280x720, 704x576)
	Secondary Stream	60Hz: 30fps@(704x576, 640x480, 640x360, 352x288, 320x240, 320x192, 320x180) 50Hz: 25fps@(704x576, 640x480, 640x360, 352x288, 320x240, 320x192, 320x180)
	Tertiary Stream	60Hz: 30fps@(1920x1080, 1280x720, 704x576, 640x480, 640x360, 320x240, 320x192, 320x180) 50Hz: 25fps@(1920x1080, 1280x720, 704x576, 640x480, 640x360, 320x240, 320x192, 320x180)
	Video Compression	H.265*/H.265(HEVC)/H.264*/H.264/MJPEG
	Video Bit Rate	16Kbps~16Mbps(CBR/VBR Adjustable)
	Privacy Masking	Up to 28 areas(24 mask areas and 4 mosaic areas)
	ROI	Up to 8 areas
	Image Setting	Brightness/Contrast/Saturation/Sharpness
<b>Interface</b>	Ethernet	1*RJ45 10M/100M Ethernet Port
	Audio I/O	1/1
	Alarm I/O	1/1
<b>Network</b>	Network Storage	NAS(Support NFS, SMB/CIFS), ANR
	Protocol	IPv4/IPv6, ARP, TCP, UDP, RTCP, RTP, RTSP, RTMP, HTTP, HTTPS, DNS, DDNS, DHCP, FTP, NTP, SMTP, SNMP, UPnP, Bonjour, SIP, PPPoE, VLAN, 802.1x, QoS, IGMP, ICMP, SSL
<b>Audio</b>	Audio Compression	G.711/AAC/G.722/G.726
	Audio Sampling Rate	8/16/32/44.1/48KHz
	Audio Bit Rate	16~256kbps
	Two-way Audio	Support
<b>System</b>	Storage	Support microSD/SDHC/SDXC Card Local Storage, up to 256G
	Advanced Function	BLC, HLC, 2D DNR, 3D DNR, Defog, AWB, EIS, IP Address Filtering, AGC, Anti-flicker, Corridor Mode, Deblur, Watermark
	SIP/VoIP Support	Yes, Voice & Video-over-IP
	Event Trigger	Black/White List, Motion Detection, Network Disconnection, External Input, Audio Alarm, etc.
	Event Action	FTP Upload, SMTP Upload, SD Card Record, External Output, SIP Phone, HTTP Notification, etc
	System Compatibility	ONVIF Profile G & Q & S & T, API
<b>General</b>	Working Temperature	-40°C~60°C
	Working Humidity	5~90%(Non-condensing)
	Power Supply	PoE (802.3at) / DC 12V±10%
	Power Consumption	8W MAX 13W MAX (With IR on)
	Weather Proof	Up to IP67-rated for Weather-resistant Performance
	Housing	Vandal-proof IK10-rated Metal Housing (Without Radar Module)
	Surge Protection	4KV
	Weight	1447g 1625g (With radar module)
	Dimensions	320mmX134mmX126mm 320mmX134mmX171mm (With radar module)
	Warranty	3/5 Years

# (Radar) AI LPR 4X/12X Pro Bullet Plus Network Camera



## Structure Diagrams



## Accessories Support

A62 Junction Box(Default)

Weight: 510g  
Dimensions: 134\*126\*40mm



A01 Pole Mount

Weight: 720g  
Dimensions: 170\*51.5\*152.6mm



A03 External Corner Bracket

Weight: 900g  
Dimensions: 170\*152.5\*76.3mm



**Milesight** | [www.milesight.com](http://www.milesight.com)

Contact Us: [sales@milesight.com](mailto:sales@milesight.com) [support@milesight.com](mailto:support@milesight.com)

Add: 220 NE 51st Street, Oakland Park, Florida 33334, USA  
Tel: +1-800-561-0485

Add: 925, Anyang SK V1 Center, LS-ro 116beon-gil, Dongan-gu, Anvang-si, Korea  
Tel: +82-31-990-7732

Add: Building C09, Software Park Phase III, Xiamen 361024, Fujian, China  
Tel: +86-592-5922772

