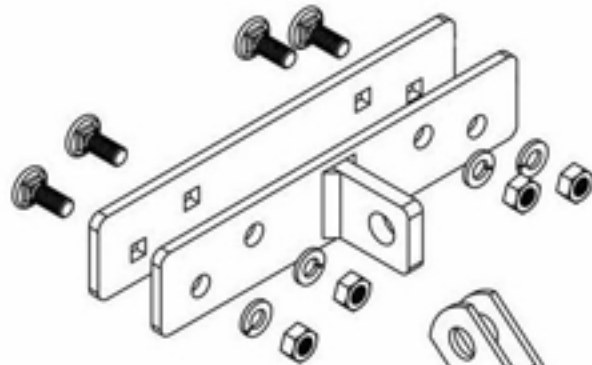
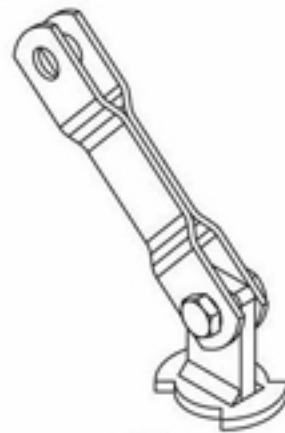


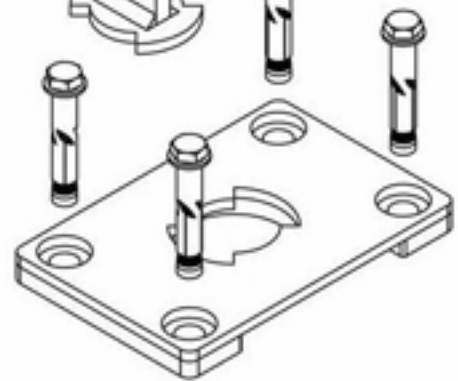
BOSS
ROLLER DOOR ANCHOR[®]
PATENTED



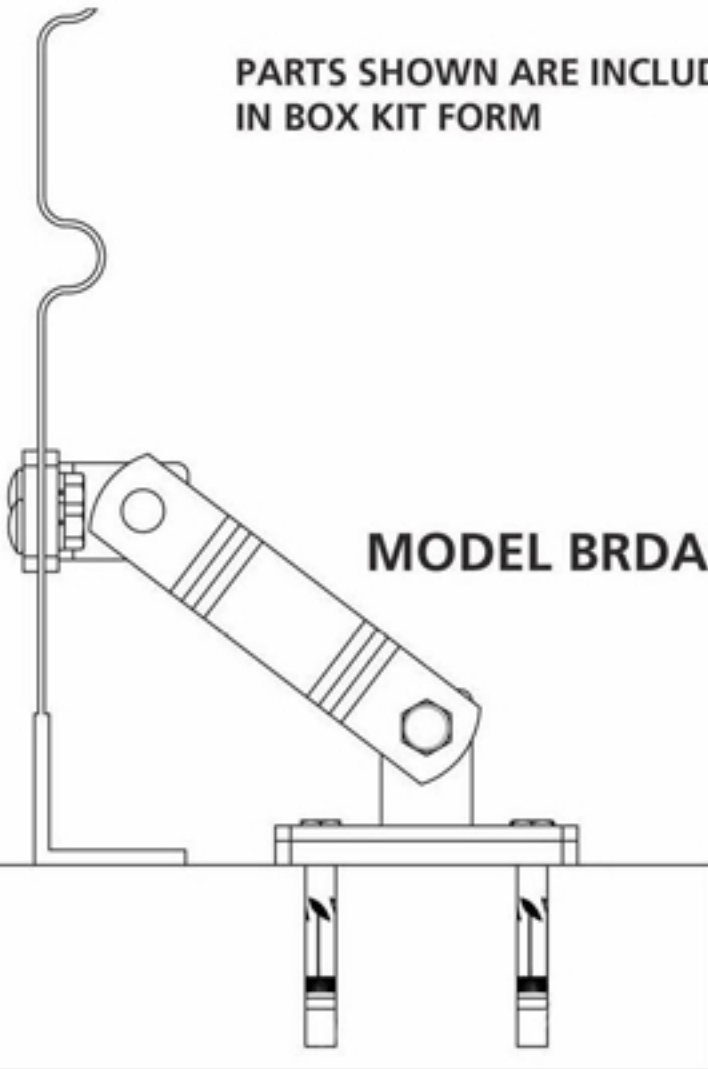
PARTS SHOWN ARE INCLUDED
IN BOX KIT FORM



HEX HEAD
DYNA BOLTS



MODEL BRDA-01



DESIGNED AND MANUFACTURED BY
BOSS BOLLARDS
MADE IN AUSTRALIA